



# WindSonic

## User Manual

**Doc No. 1405-PS-0019**

Issue 20

July 2011

APPLIES TO OPTION 1-3 UNITS SUPPLIED FROM OCTOBER 2009

WITH SERIAL NUMBERS 09430000 ONWARDS.

APPLIES TO OPTION 4 SDI-12 UNITS FROM JUNE 2011

WITH SERIAL NUMBERS 11220007 ONWARDS.

**Gill Instruments Limited**

Saltmarsh Park,  
67 Gosport Street,  
Lymington,  
Hampshire.  
SO41 9EG  
UK

Tel: +44 (0) 1590 613500

Fax: +44 (0) 1590 613501

E-mail: [anem@gill.co.uk](mailto:anem@gill.co.uk)

Website: [www.gill.co.uk](http://www.gill.co.uk)



## Contents

1	FOREWORD	5
2	INTRODUCTION	5
3	FAST TRACK SET-UP	5
4	PRINCIPLE OF OPERATION	6
5	SPECIFICATION	8
6	PRE-INSTALLATION	10
6.1	EQUIPMENT SUPPLIED	10
6.1.1	<i>WindSonic Part Numbers</i>	10
6.2	PACKAGING	11
6.3	INSTALLATION REQUIREMENTS	11
6.4	CABLE ASSEMBLY	12
7	INSTALLATION	16
7.1	INSTALLATION GUIDELINES	16
7.2	BENCH SYSTEM TEST	17
7.3	ELECTRICAL	17
7.3.1	<i>Cable</i>	17
7.3.2	<i>Power supply</i>	18
7.4	CONNECTING TO A PC USING RS232 (OPTION 1 SENSOR)	19
7.5	CONNECTING TO A PC USING RS232 (OPTION 2 AND 3 SENSORS SET FOR RS422 MODE, E2)	20
7.6	CHANGING AN RS232 SET OPTION 2 OR 3 SENSOR BACK TO RS422	21
7.7	CONNECTING TO A GILL WINDDISPLAY	21
7.8	CONNECTING TO A PC USING RS422 (OPTION 2 OR 3)	22
7.9	NETWORKING USING RS485 (OPTION 2 OR 3)	23
7.10	USING THE ANALOGUE OUTPUT (OPTION 3)	24
7.11	MECHANICAL	25
7.11.1	<i>Orientation</i>	25
7.11.2	<i>Alignment</i>	25
7.11.3	<i>Mounting</i>	25
8	USING WITH THE GILL WINDDISPLAY	27
9	MESSAGE FORMATS	28
9.1	GILL FORMAT– POLAR, CONTINUOUS (DEFAULT FORMAT)	28
9.2	GILL FORMAT – UV, CONTINUOUS	30
9.3	GILL FORMAT – POLLED (POLAR OR UV)	31
9.4	NMEA FORMAT (NMEA STATUS CODES)	32
9.5	NMEA FORMAT (GILL STATUS CODES)	33
9.6	GILL FORMAT – TUNNEL MODE (UU, CONTINUOUS)	33
9.7	ANALOGUE OUTPUTS AND OPTIONS	34
9.7.1	<i>Voltage or Current output</i>	34
9.7.2	<i>Analogue Output Modes</i>	34
9.7.3	<i>Polar mode direction wraparound</i>	34
9.7.4	<i>Wind Speed scaling</i>	35
9.7.5	<i>Tunnel mode</i>	35
9.7.6	<i>Analogue Output Rate</i>	35

9.7.7	<i>Disabled outputs</i>	35
9.7.8	<i>Analogue Output Conditions</i>	35
9.7.9	<i>Low wind speeds (below 0.05 m/s).</i>	36
9.7.10	<i>Error condition reporting</i>	36
10	CONFIGURING	37
10.1	WIND	37
10.2	WINDVIEW	41
10.3	CONFIGURING USING HYPERTERMINAL	41
10.4	ENTERING CONFIGURATION MODE	42
10.5	RETURNING TO MEASUREMENT MODE	42
10.6	CHECKING THE CONFIGURATION	42
10.7	CHANGING A SETTING	42
10.7.1	<i>Command List</i>	43
	<i>Bx - Baud rate</i>	44
	<i>Cx - Analogue settings</i>	44
	<i>Dx - Diagnostic and Configuration Command (See Section 10.8)</i>	44
	<i>Ex - Communications Protocol</i>	44
	<i>Fx - Data and parity options</i>	45
	<i>Gx - (To be allocated for future developments)</i>	45
	<i>Hx - Power-up Message</i>	45
	<i>Kxx to Kxxx - Minimum Direction Velocity</i>	46
	<i>Lx - Message Terminator</i>	46
	<i>Mx to Mxx - Message Format</i>	46
	<i>Nx - Node Address</i>	46
	<i>Ox - ASCII Output Format</i>	47
	<i>Px to Pxx - Output Rate</i>	47
	<i>Q - Measurement Mode</i>	47
	<i>Sx - Analogue Output Range</i>	47
	<i>Tx - Analogue Output Type (Voltage or Current)</i>	48
	<i>Ux - Output Units</i>	48
10.8	CONFIGURATION / DIAGNOSTIC INFORMATION	49
11	MAINTENANCE & FAULT-FINDING	50
11.1	CLEANING	50
11.2	SERVICING	50
11.3	FAULT FINDING	50
11.4	RETURNING UNIT	51
11.5	STATUS	51
12	TESTS	51
12.1	BENCH TEST	51
12.2	SELF-TEST (STILL AIR)	52
12.3	CALIBRATION	52
13	APPENDICES	53
13.1	GLOSSARY & ABBREVIATIONS	53
13.2	GUARANTEE	53
13.3	WINDSONIC OPTIONS 1, 2, 3 AND 4	54
	ELECTRICAL CONFORMITY	54
14	SDI-12 WindSonic	55
14.1	WINDSONIC OPTION 4 SPECIFICATION	55

14.2	CABLE TYPE	56
14.3	CABLE LENGTH	56
14.4	CONNECTING TO AN SDI-12 INTERFACE (OPTION 4)	56
14.5	SDI-12 COMMANDS	57
14.6	GILL OUTPUT MESSAGE FORMAT	60
14.7	SDI-12 STATUS CODES	60
14.8	WINDSONIC OPTION 4 ELECTRICAL CONFORMITY	60

## 1 FOREWORD

Thank you for purchasing the WindSonic manufactured by Gill Instruments Ltd. The unit has no customer serviceable parts and requires no calibration or maintenance. To achieve optimum performance we recommend that you read the whole of this manual before proceeding with use. Do NOT remove black "rubber" transducer caps.

Gill products are in continuous development and therefore specifications may be subject to change and design improvements without prior notice.

The information contained in this manual remains the property of Gill Instruments and should not be copied or reproduced for commercial gain.

## 2 INTRODUCTION

The Gill WindSonic wind sensor is a very robust, lightweight unit with no moving parts, outputting wind speed and direction. The units of wind speed, output rate and formats are all user selectable.

The WindSonic can be used in conjunction with a PC, data logger or other device, provided it is compatible with one of the standard communication formats provided by the WindSonic.

WindSonic (option 2 or 3 only) is designed to connect directly to the Gill WindDisplay unit to provide a complete wind speed direction system.

WindSonic (options 1, 2 and 3) may be configured using Wind software which is available, free of charge, from the Gill website [www.gill.co.uk](http://www.gill.co.uk). The output message format can be configured in Gill format, in Polar or UV (2-axis) format, and to either Polled (requested by host system) or Continuous output. Alternatively, it can be configured in NMEA (0183 Version 3). These are described in Section 9 MESSAGE FORMATS.

WindSonic (option 4) SDI-12 may not be re-configured in any Gill output format and format is SDI-12 (V1.3) and described in Section 14 SDI-12 COMMANDS.

## 3 FAST TRACK SET-UP

If you are in a hurry to try out the WindSonic (options 1, 2 or 3) and are familiar with Gill equipment and coupling to a PC using RS232, go to the following sections:

- Section 7 INSTALLATION
- Section 9 MESSAGE FORMATS
- Section 10 CONFIGURING

After you have successfully set up the WindSonic, we strongly advise that you then go back and read the rest of the manual to ensure that you get the best results from the WindSonic.

## 4 PRINCIPLE OF OPERATION

The WindSonic measures the times taken for an ultrasonic pulse of sound to travel from the North transducer to the South transducer, and compares it with the time for a pulse to travel from S to N transducer. Likewise times are compared between West and East, and E and W transducer.

If, for example, a North wind is blowing, then the time taken for the pulse to travel from N to S will be faster than from S to N, whereas the W to E, and E to W times will be the same. The wind speed and direction can then be calculated from the differences in the times of flight on each axis. This calculation is independent of factors such as temperature.

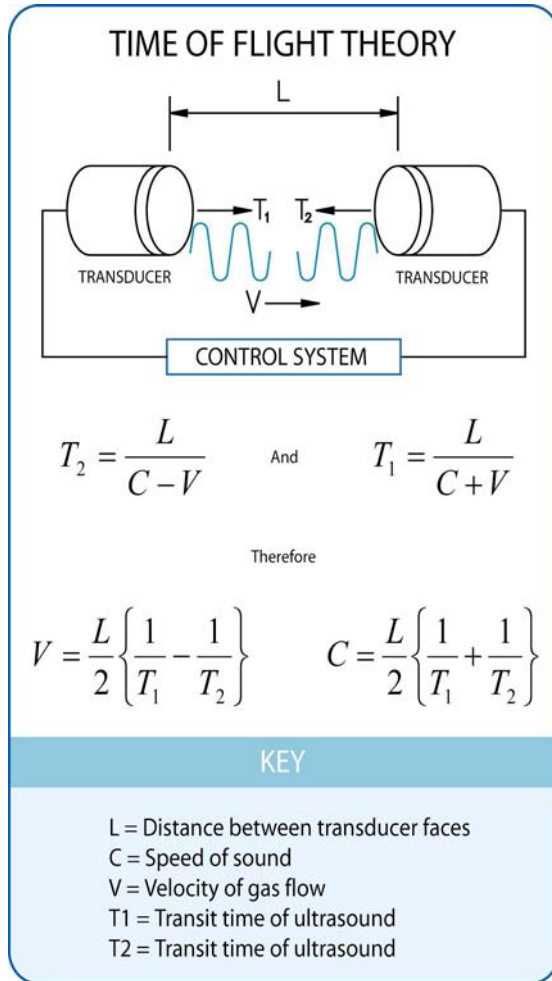


Figure 1 Time of Flight details

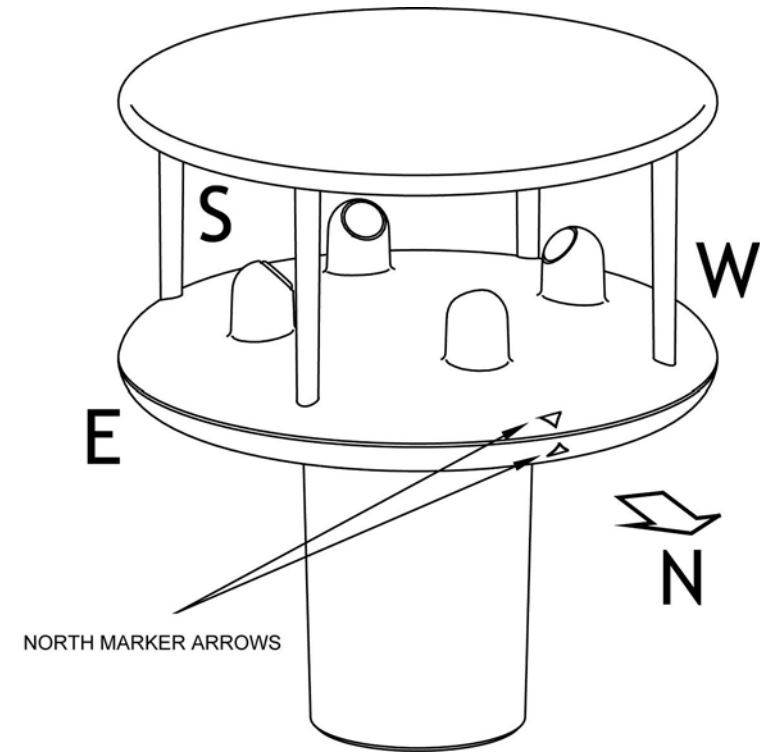


Figure 2 Compass Points

## 5 SPECIFICATION

**This Specification relates only to Option 1, 2 and 3 WindSonic Sensors fitted with a Red Tab adjacent to the North Marker arrow and Serial Numbers 09430000 onwards.**

<b>Output</b>	
Units of measure	Metres/second (m/s), Knots, Miles per hour (mph), Kilometres per hour (kph), Feet per minute (fpm)
Output frequency	0.25, 0.5, 1, 2, or 4 outputs per second
Parameters	Digital
	Analogue
	Polar - Speed and Direction UV - 2 axis, signed Speed NMEA Speed and Direction Tunnel - U speed & U Polarity
	Polar - Speed and Direction UV - U Speed and U Polarity NMEA - Speed and Direction Tunnel - U Speed & U Polarity
<b>Wind Speed</b>	
Range	0 – 60m/s,
Accuracy	± 2% (at 12m/s)
Resolution	0.01 m/s
<b>Wind Direction</b>	
Range	0 - 359°
Accuracy	± 3° (at 12m/s)
Resolution	1°
<b>Analogue output formats</b>	
0-5V	± 1% of full scale N.B. Analogue output impedance = 1K $\Omega$ (V out) Load resistance between the Analogue outputs (Pins 8 & 9) and Signal Ground (Pin 1) must be <= 300 ohms, including cable resistance.
4-20mA	
0-20mA	
<b>Digital output formats</b>	
Gill	Continuous or Polled (output on request by host system) Polar (Speed and Direction) or UV (2 axis, signed Speed) NMEA 0183 version 3
Marine – NMEA	
<b>Communication formats</b>	
WindSonic Option 1	RS232
WindSonic Option 2	RS232, RS422, RS485
WindSonic Option 3	RS232, RS422, RS485, and Analogue
Baud Rate	2400, 4800, 9600, 19200, 38400 Baud Rates
<b>Anemometer status</b>	Status OK and Error codes included in output message

<b>Environmental</b>	
Moisture protection	IP65
Temperature	Operating -35°C to +70°C Storage -40°C to +80°C
Humidity	Operating <5% to 100%
EMC	EN 61326
<b>Standards</b>	Manufactured within ISO9001: 2000 quality system

<b>Power requirement</b>	5 – 30 V DC Option 1 and 2 units. 7 – 30 V DC. Option 3 units. Current drain depends on variant i.e. RS232 approximately 9mA rising to 44mA for Analogue variant. Lowest power consumption is obtained with the following configuration: - M2, P20, B3, S9 (approximately 5.5mA at 12v).
<b>Mechanical</b>	
Size / weight	142mm diameter x 160mm 0.5kg
Mounting	Pipe mounting 1.75 inches (44.45mm) diameter
Material	External - Acrylate Styrene Acrylonitrile, Polycarbonate blend.

**The Specification for the Option 4 SDI-12 unit is detailed in Section 14.**

## 6 PRE-INSTALLATION

### 6.1 Equipment supplied

Item	Quantity
WindSonic	1
Connector and Mounting Screws comprising	
9 Way connector	1
Connector Contacts	9
Sealing Gland	1
Sealing Washer	1
Washer shake proof	3
Screws – M5 stainless steel	3
User Manual on CD	1

Wind and WindView software is available free of charge from the Gill website – [www.gill.co.uk](http://www.gill.co.uk)

#### 6.1.1 WindSonic Part Numbers

1405-PK-021	Black WindSonic Option 1 – RS 232 output only
1405-PK-068	White WindSonic Option 1 – RS 232 output only
1405-PK-038	Black WindSonic Option 2 – RS 232, 422 & 485 output
1405-PK-072	White WindSonic Option 2 – RS 232, 422 & 485 output
1405-PK-040	Black WindSonic Option 3 – RS 232, 422, 485 & analogue output
1405-PK-073	White WindSonic Option 3 – RS 232, 422, 485 & analogue output
1405-PK-100	Black WindSonic Option 4 – SDI-12 output only
1405-PK-110	White WindSonic Option 4 – SDI-12 output only

Optional extras:

Item	Part No
Cable 4 Pair	026-03156
Cable 3 Pair	026-02660
Cable 15 metres (4 pair – Connector pins attached to one end and stripped wires the other).	1405-10-080
WindSonic connector (1 supplied as standard see above)	1405-PK-069
WindSonic Support Tube	1405-30-056

### 6.2 Packaging

Whilst the WindSonic is being moved to its installation site, the unit should be kept in its inner packaging. All the packaging should be retained for use if the unit has to be returned at any time, or if a self-test is performed.

### 6.3 Installation requirements

**Host system** - One of the following:

- PC fitted with a suitable interface to match the chosen communication format (RS232, RS422, or RS485), compatible with the WindSonic option selected, and a suitable Terminal Emulation software package. (For example HyperTerminal for Windows™ 9x, Windows™ 2000 and XP or Terminal for Windows™ 3.n will normally be available on your PC.) Wind is available from the Gill website.
- Gill WindDisplay (WindSonic option 2 or 3 only)
- Other equipment with input/output compatibility to the WindSonic Option selected.  
For example, Chart recorder or Data logger, using the WindSonic Analogue output.

**Cable** - To connect between the WindSonic and the host system

*See Section 7.3 Cable type for cable specification.*

- There are restrictions on the maximum cable lengths for correct operation.
- The cable should be routed up the inside of the mounting tube.

**Mounting tube**

- Standard tube 1.75 inches (44.45mm) Outside Diameter x 3mm wall thickness. **Note it is important that the correct diameter tube is used to prevent damage to the WindSonic lower moulding when tightening the screws.**

*See Figure 3 in section 7.4 Alignment & Mounting Details*

- For non-hostile environments, Aluminium tube can be used.
- For hostile environments, you should select a material suitable for the intended environment. For example, stainless steel 316 for marine use.

### 6.4 Cable Assembly

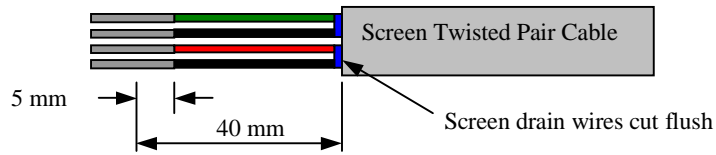
Open the pack of parts provided with the WindSonic or as 1405-PK-069

Trim back the screened cable outer and screen sleeves 40mm.

Trim back the screen drain wires flush with the outer sleeve.

Strip back the connection wires by 5mm and tin solder.

Solder the contact pins to the wires (please note that the connector supplies the correct strain relief for cables with an outside diameter of 6-12mm).



Put the parts on the cable in the order as shown below.



Whilst squeezing the red retainer in the direction of ARROWS A, pull in the direction of ARROW B.



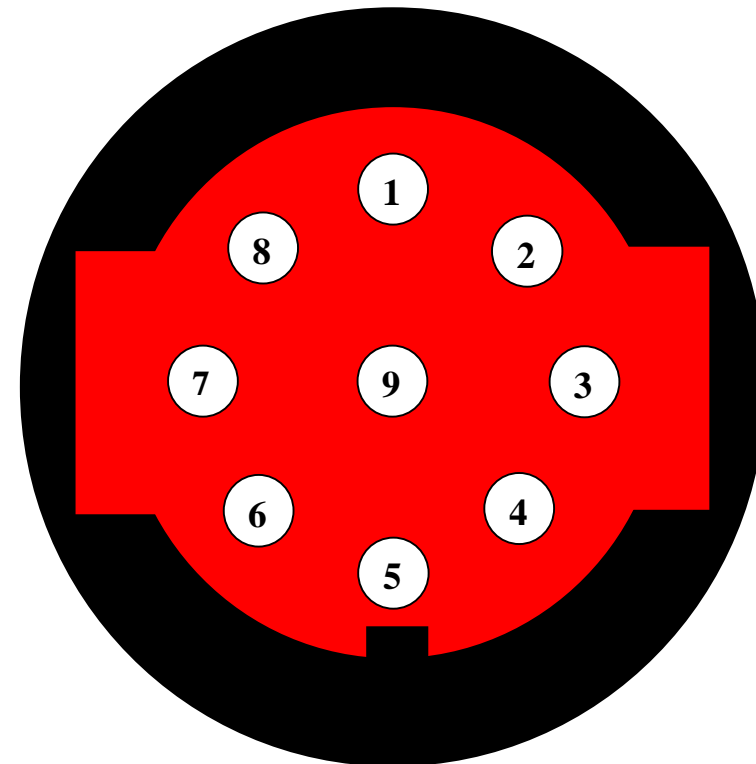
Your connector should now resemble the connector in the picture below.



Insert each contact pin until you feel a slight click. If you have inserted the contact into the incorrect hole it can be removed at this point by simply pulling it out. Please note there will be some resistance.



Rear View of Connector



Continue to insert all of the contacts you require. Once all of the contacts are inserted push the red retainer into place. NB. The retainer can only be pushed back into place if the contacts are fully engaged.



Fit the connector to the WindSonic so that you can finish assembling the connector.



Screw the back shell onto the connector until it is fully in place. Please note that the final rotations can be slightly stiff.



Now screw the next part of the connector into place.



Now screw the cable-clamping nut into place.



The connector can now be removed from the WindSonic.

***NOTE: To disassemble the connector, reverse this procedure.***

## 7 INSTALLATION

**Do NOT remove the black “rubber” transducer caps. Warranty is void if the coloured security seal is damaged or removed.**

### 7.1 Installation Guidelines

The WindSonic has been designed to meet and exceed the stringent standards listed in its specification. Operating in diverse environments all over the world, WindSonic requires no calibration and adjustment whatsoever.

As with any sophisticated electronics, good engineering practice should be followed to ensure correct operation.

- Always check the installation to ensure the WindSonic is not affected by other equipment operating locally, which may not conform to current standards, e.g. radio/radar transmitters, boat engines, generators etc.

Guidelines –

- Avoid mounting in the plane of any radar scanner – a vertical separation of at least 2m should be achieved.
- Radio transmitting antennas, the following minimum separations (all round) are suggested
  - VHF IMM – 1m
  - MF/HF – 5m
  - Satcom – 5m (avoid likely lines of sight)
- Use cables recommended by Gill. If cables are cut and re-connected incorrectly (perhaps in a junction box) then EMC performance may be compromised if cable screen integrity is not maintained.
- Earth loops should not be created – wire the system in accordance with the installation guidelines.
- Ensure the power supply operates to the WindSonic specification at all times.

Avoid turbulence caused by surrounding structures that will affect the accuracy of the WindSonic such as trees, masts and buildings. Ideally sensors should be mounted on the prevailing wind side of the site.

The WMO make the following recommendations:

- The standard exposure of wind instruments over level open terrain is 10m above the ground. Open terrain is defined as an area where the distance between the sensor and any obstruction is at least 10 times the height of the obstruction.

If mounting on a building then theoretically the sensor should be mounted at a height of 1.5 times the height of the building.

If the sensor is to be mounted on a mast boom, part way up a tower or mast, then the boom should be at least twice as long as the minimum diameter or diagonal of the tower. The boom should be positioned on the prevailing wind side of the tower.

### 7.2 Bench system test

**Note:** Prior to physically mounting the WindSonic in its final location, we strongly recommend that a bench system test is carried out to confirm the system is configured correctly, is fully functional and electrically compatible with the selected host system and cabling (preferably utilising the final cable length). The required data format, units, output rate, and other options should also all be set up at this stage.

### 7.3 Electrical

#### 7.3.1 Cable

##### Cable type

A RS422 compatible cable should be used, with the number of twisted pairs matching the application.

**Generic description** – Twisted pairs with drain wire, screened with aluminised tape, with an overall PVC sheath. Wire size 7/0.2mm (24 AWG)

The table shows some suitable manufacturers’ references; other manufacturers’ equivalents can be used.

Application	No. of pairs	Gill ref.	Belden ref.	Batt electronics ref.
WindDisplay	2	-	9729	-
RS 232	3	026-02660	9730	91030
RS 422/485	4	026-03156	9728	91199

## Cable length

The maximum cable length is dependent on the chosen communication format (RS232, RS422 or RS485), the baud rate, and, to a lesser extent, on the cable type and the local electrical 'noise' level.

The table shows the typical maximum lengths at the given baud rates, using the recommended cable. If any problems of data corruption etc are experienced, then a slower baud rate should be used. Alternatively, a thicker or higher specification cable can be tried.

WindSonic Option	Communication format	Baud rate	Max. cable length
Option 1, 2 and 3	RS232	9600	6.5 m (20 ft)
Option 2 and 3	RS422/485	9600	1 km (3200 ft)
Option 3	Analogue – Voltage o/p	N/A	6.5 m (20 ft)
	Analogue – Current o/p	N/A	Resistance dependent (max 300 Ω)

## 7.3.2 Power supply

Option 1 and 2 Units; Require a DC supply of between 5V – 30 V DC (30V DC max).

Option 3 Units; Require a DC supply of between 7V– 30 V DC (30V DC max).

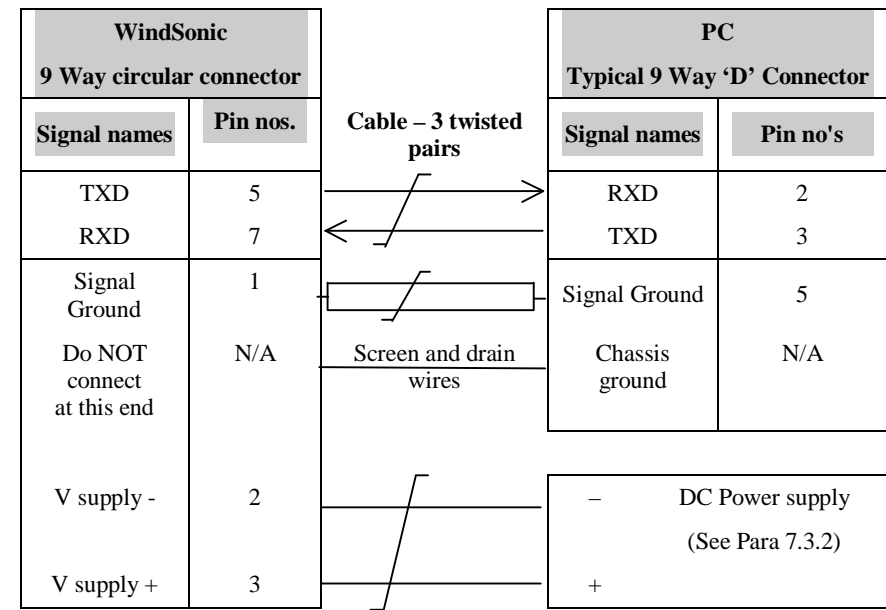
Current drain depends on variant i.e. Option 1, RS232 approximately 9mA rising to 44mA for Analogue variant.

Lowest power consumption is obtained with the following configuration: - M2, P20, B3, S9 (approximately 5.5mA at 12v).

## 7.4 Connecting to a PC using RS232 (Option 1 Sensor)

### Notes

- Some PCs have a Serial RS232 interface and a suitable terminal emulation package already installed, which can easily be utilised with the WindSonic. (HyperTerminal for Windows™ 9x, Windows™ 2000 and XP or Terminal for Windows™ 3.n)
- The cable length for reliable operation is limited to 6.5m (20ft).  
(See Section 7.3 Cable length.)
- For longer cable runs, we recommend using the WindSonic configured with RS422 output, and a RS422/232 converter at the PC. See *Connecting to a PC using RS422*.
- Wiring connections below are not applicable to WindSonic Options 2 and 3 set for RS232 operation.

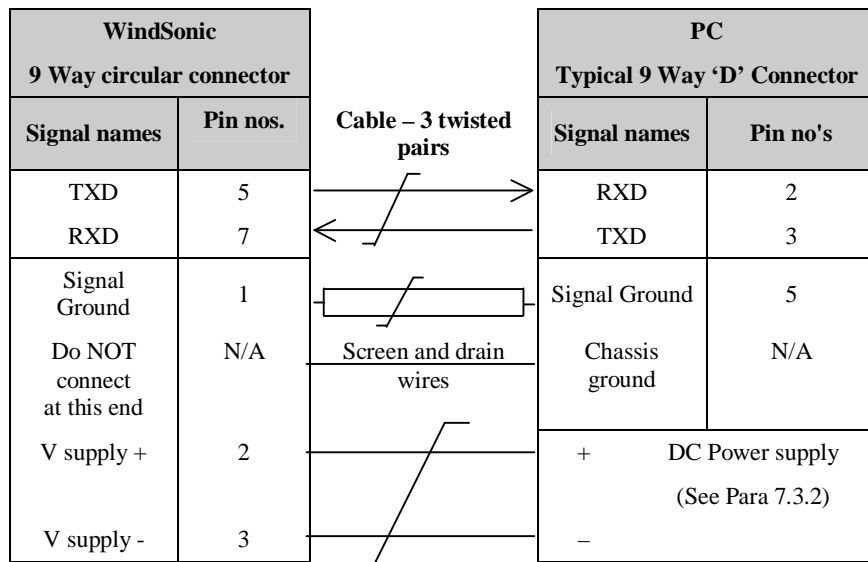


### Default Settings

The WindSonic Option 1 unit is factory configured with the following default settings:

M2, U1, O1, L1, P1, B3, H1, NQ, F1, E3, T1, S4, C2, G0, K50

## 7.5 Connecting to a PC using RS232 (Option 2 and 3 sensors set for RS422 Mode, E2)



Connect the Option 2 or 3 WindSonic as per the above connection diagram.

With WindSonic power off, set up a HyperTerminal connection as per Page 41 **but with the Baud rate set to 19200 (this can be at variance with the original WindSonic Baud rate setting).**

Apply power to the WindSonic and immediately **hold down** the \* character (shift 8). After approximately 3 seconds the unit will respond with **Safe Mode**.

Remove any \* characters on screen.

Type E3 and press Enter (changes E2 setting to E3).

E3 will be seen twice on screen to confirm the setting change to RS232 has occurred.

Type Q and press Enter to go back into measurement mode (garbled data may appear on screen if the original WindSonic Baud rate setting is not 19200bauds).

If required close the 19200-baud HyperTerminal connection and re-open at the WindSonic Baud rate. If a continuous data mode has been previously chosen then data will scroll on screen.

**(Note that supply voltage connections are reversed compared to the Option 1 RS232 unit. Damage will not occur from a reverse voltage connection).**

## 7.6 Changing an RS232 set Option 2 or 3 Sensor back to RS422

Connect the Option 2 or 3 WindSonic as per Para 7.5.

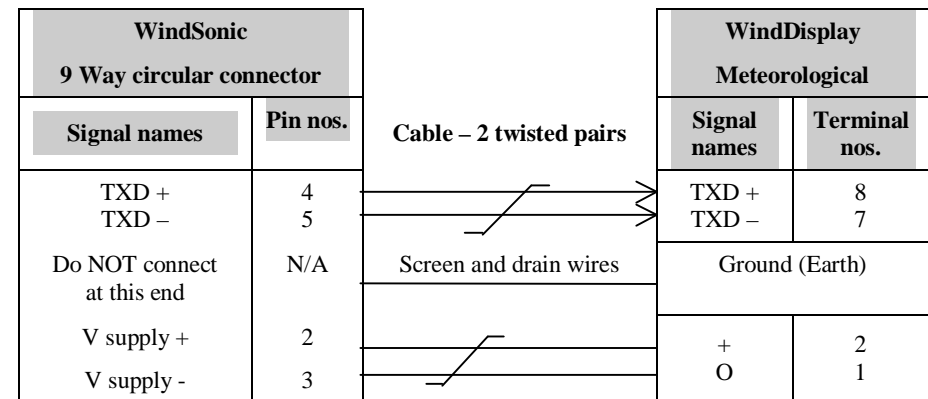
Repeat instructions shown in Para 7.5 except that in Safe Mode set the E Command to E2 etc.

## 7.7 Connecting to a Gill WindDisplay

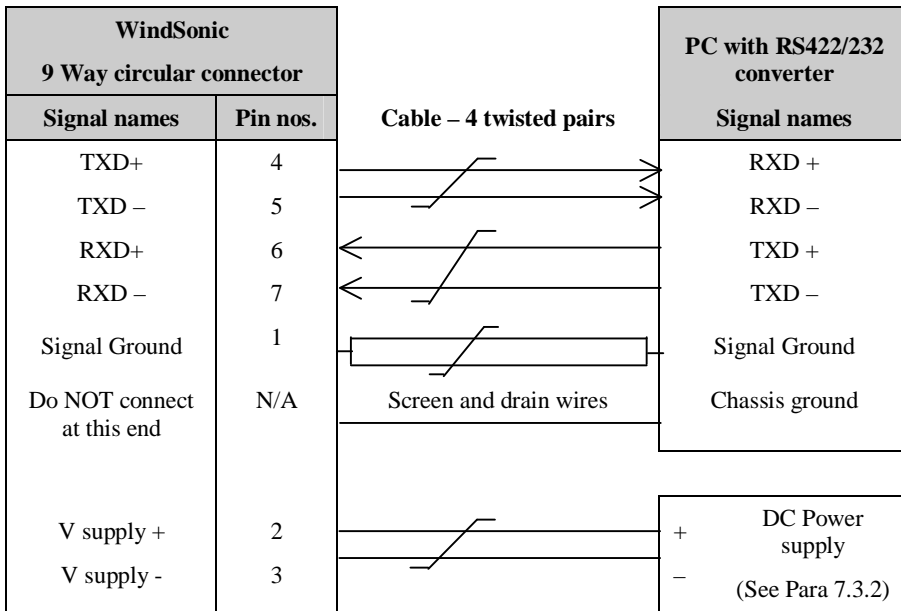
*For further details see Section 8 USING WITH THE GILL WINDDISPLAY, and the WindDisplay User Manual for the method of operation.*

### Notes

1. WindSonic Option 2 or 3 must be used Set for RS422 output (E2 Mode).
2. Use the WindSonic in the factory default mode for the Meteorological Wind Display – i.e. do not reconfigure.
3. **If used with a Marine NMEA 4800 Baud WindDisplay set the Wind Sonic for NMEA (e.g. M5) and 4800 Baud (B2).**
4. The WindDisplay can provide power to the WindSonic.



### 7.8 Connecting to a PC using RS422 (Option 2 or 3)



Notes

WindSonic to be set for RS422/RS485 mode (E2, default).

Analogue Outputs are also simultaneously available from the **Option 3** unit.

**Default Settings**

The **WindSonic Option 2 and 3** unit is factory configured with the following default settings:

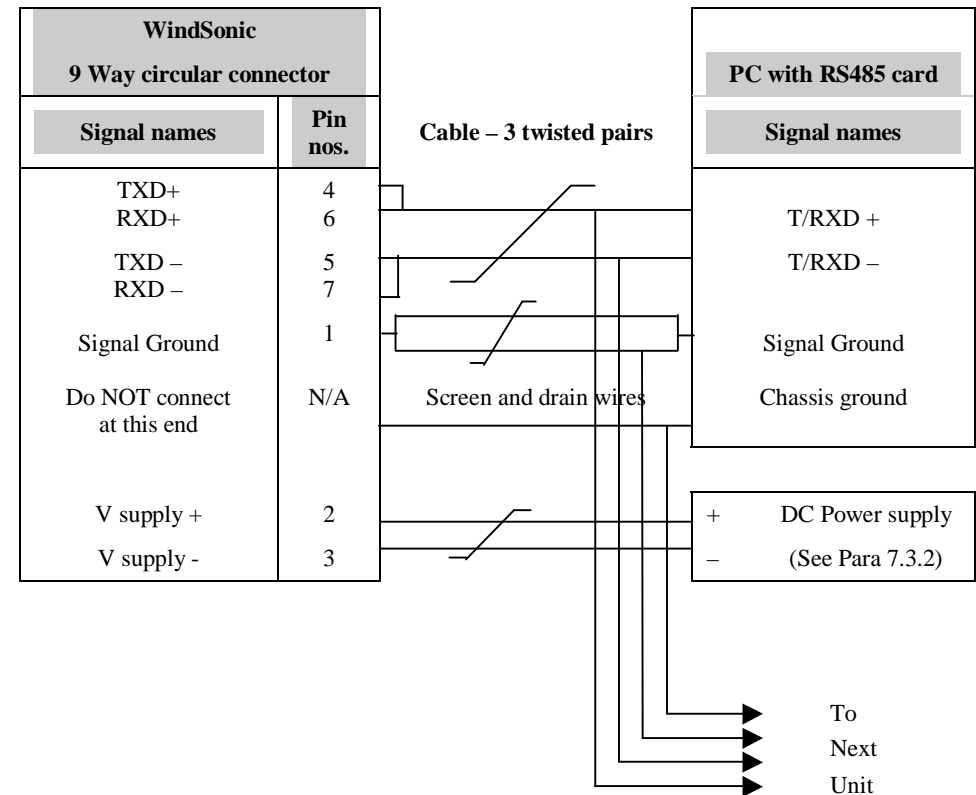
**M2, U1, O1, L1, P1, B3, H1, NQ, F1, E2, T1, S4, C2, G0, K50**

*See Section 10 Configuring for further details*

### 7.9 Networking using RS485 (Option 2 or 3)

**Notes**

1. The unit must be set for RS422/485 mode (E2 setting).
2. Up to 10 WindSonic units can be “daisy chained”.
3. WindSonic units must be set in Polled mode, with each device given a unique node address.  
*See Section 9.1 WindSonic node address.*
4. Customers may poll using terminal software (NOT supplied).



**NOTES:**

Power needs to be supplied to each unit in the network.

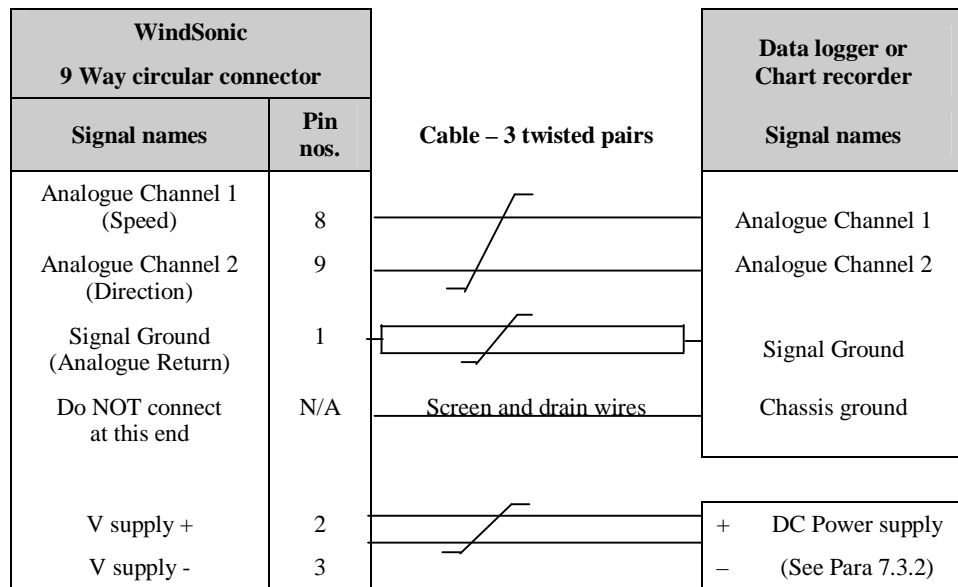
Analogue Outputs are also simultaneously available from the **Option 3** unit.

If used in a multi-drop system then it is recommended that ID's A to F and KMNP are not used as these characters can be present in the data string.

## 7.10 Using the Analogue Output (Option 3)

### Notes

1. If the Current output is used, the total output load **MUST** be below 300 ohms, including the cable resistance.
2. The current output loads must be returned to Signal Ground.
3. Reconfiguration of the analogue output requires a digital connection (*See sections 9 & 10*)
4. In addition, the digital output can be connected if required using RS232, 422 or 485, as shown in the previous sections.



## 7.11 Mechanical

*Before installing, see note at Section 7.2 Bench system test.*

### 7.11.1 Orientation

Normally the WindSonic is mounted on a vertical tube, ensuring a horizontal Measuring Plane.

*See Figure 3 Alignment & Mounting details*

For indoor use the unit may be mounted with the Measurement Plane set to any required orientation.

### 7.11.2 Alignment

The WindSonic should be aligned to point to North, or any other reference direction –for example, the bow of a boat.

There are two arrows, a coloured rectangle, and an alignment notch to aid alignment.

*See Figure 3 Alignment & Mounting Details*

**Note:** It is usually simpler to work first with a compass at ground level and identify a suitable landmark and it's bearing.

### 7.11.3 Mounting

The support tube requires three 3 equally spaced holes, tapped M5, 7.5mm from the top of the tube. Pass the cable (fitted with the 9 way Clipper plug) through the tube.

**Note:** the customer must fit appropriate strain relief to the cable.

Connect the plug by twisting it whilst pushing it gently into the socket on the WindSonic. When it locates, twist the outer sleeve clockwise to connect and lock the plug.

Fix the WindSonic to the tube using the 3 stainless steel screws provided. (Maximum mounting screw torque 4 Nm.)

It is the responsibility of the customer to ensure that the WindSonic is mounted in a position clear of any structure, which may obstruct the airflow or induce turbulence.

Do NOT mount the WindSonic in close proximity of high-powered radar or radio transmitters. A site survey may be required if there is any doubt about the strength of external electrical noise.

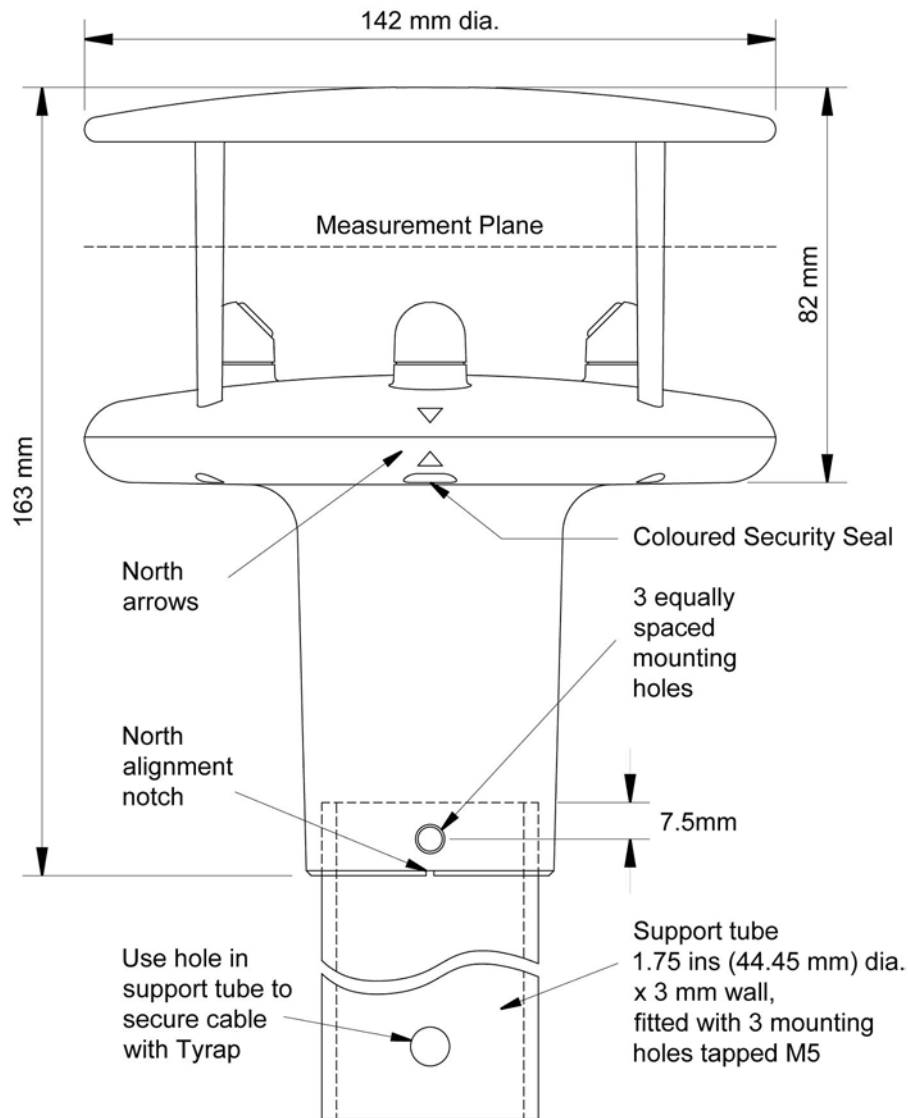


Figure 3 Alignment &amp; Mounting details

## 8 USING WITH THE GILL WINDDISPLAY

The WindSonic is designed to link directly to the Gill WindDisplay unit to provide a complete wind speed and direction system.

After coupling to a WindDisplay, the Wind Speed units and the Averaging period can be selected using the WindDisplay controls. See the *WindDisplay User Manual*.

### Important:

- WindSonic Option 2 or 3 must be used, connected as shown in Section 7.3 Connecting to a Gill WindDisplay.
- The WindSonic must be used as supplied, set to the factory default settings for the Meteorological Wind Display – i.e. do not reconfigure.
- **If used with a Marine NMEA 4800 Baud WindDisplay set the WindSonic for NMEA (e.g. M5) and 4800 Baud (B2).**
- Note that although the WindDisplay can display wind speed in various units, these are calculated within the WindDisplay. The data coming to the WindDisplay must be in metres/sec (i.e. the factory default output setting).

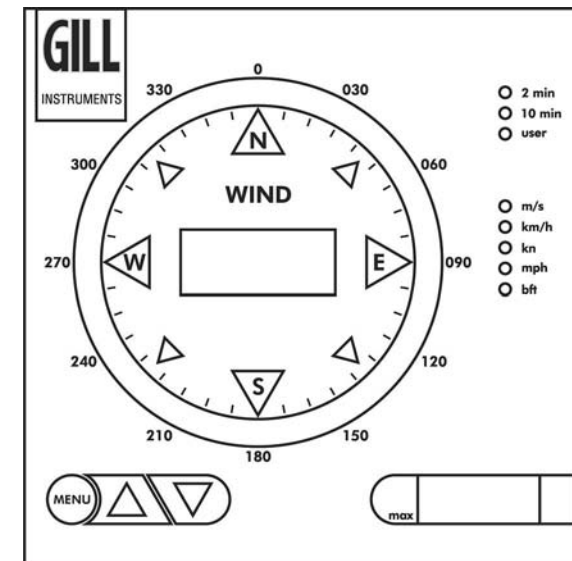


Figure 4 WindDisplay

## 9 MESSAGE FORMATS

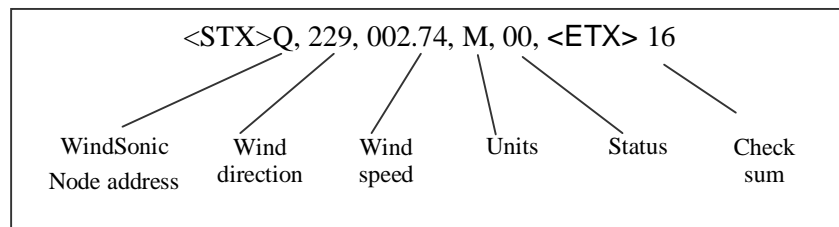
On applying power to the WindSonic, it will provide wind measurements in one of the following formats:

- Gill – Polar, Continuous (**default format**)
- Gill - UV, Continuous
- Gill – Polar Polled
- Gill – UV Polled
- NMEA – IIMWV or WIMWV (with NMEA status Codes)
- NMEA - IIMWV or WIMWV (with Gill Status Codes)
- Tunnel – U Direction, U Speed

Each of these is described below.

Information on how to change the formats and settings follows in Section 10 CONFIGURING.

### 9.1 Gill format– Polar, Continuous (Default format)



Where:

<code>&lt;STX&gt;</code>	=	Start of string character (ASCII value 2)
WindSonic node address	=	Unit identifier
Wind direction	=	Wind Direction
Wind speed	=	Wind Speed
Units	=	Units of measure (knots, m/s etc)
Status	=	Anemometer status code ( <i>see Section 11.5 for further details</i> )
<code>&lt;ETX&gt;</code>	=	End of string character (ASCII value 3)
Checksum	=	This is the EXCLUSIVE – OR of the bytes between (and not including) the <code>&lt;STX&gt;</code> and <code>&lt;ETX&gt;</code> characters.
<code>&lt;CR&gt;</code>		ASCII character
<code>&lt;LF&gt;</code>		ASCII character

### WindSonic node address

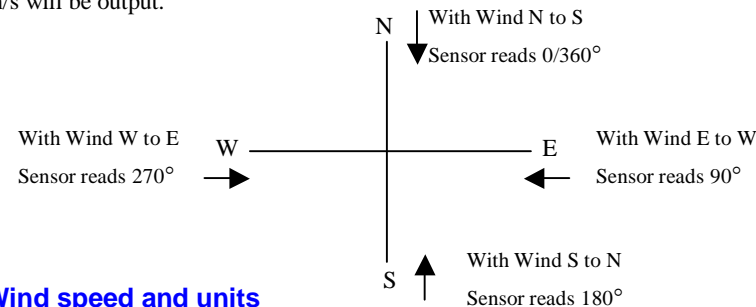
The default setting is 'Q'. If there is more than one WindSonic in a network, the others must be renamed (A to Z), so that each WindSonic is uniquely identified.

If used in a multi-drop system then it is recommended that ID's A to F and K, M, N and P are not used, as these characters can be present in the data string.

### Wind direction

Indicated in degrees, from 0 to 359°, with respect to the WindSonic North marker.

In Comma Separated Variable and Fixed Field modes, when the wind speed is below 0.05 metres/sec the direction will not be calculated; the last calculated direction above 0.05 m/s will be output.



### Wind speed and units

Shows the Wind Speed in the Measurement Plane (*See Figure 3 Alignment & Mounting details*) in one of the following units:

Units	Identifier
Metres per second (default)	M
Knots	N
Miles per hour	P
Kilometres per hour	K
Feet per minute	F

### Status

This indicates either

- Correct operation Code 00 and A (NMEA).
- or Error codes *See Section 11.5 for explanation of codes.*

### Checksum

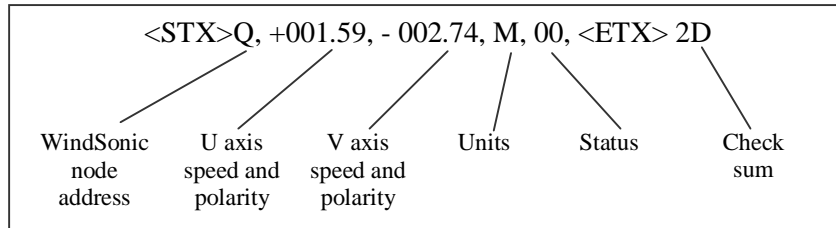
This enables the host system to check that the data has been correctly received. This is the EXCLUSIVE – OR of the bytes between (and not including) the `<STX>` and `<ETX>` characters.

### Output rate (not displayed)

The WindSonic samples continuously and delivers wind information at ¼, ½, 1 (default setting), 2, or 4 outputs / second.

## 9.2 Gill format – UV, Continuous

In this mode, the output is given as signed (i.e. positive or negative) speeds along the 'U' (= South – North) axis and the 'V' (= East – West) axis.



Where:

<STX>	=	Start of string character (ASCII value 2)
WindSonic node address	=	Unit identifier
U axis	=	speed & polarity
V axis	=	speed & polarity
Units	=	Units of measure (knots, m/s etc)
Status	=	Anemometer status code ( <i>see Section 12.5 for further details</i> )
<ETX>	=	End of string character (ASCII value 3)
Checksum	=	This is the EXCLUSIVE – OR of the bytes between (and not including) the <STX> and <ETX> characters

The WindSonic unit identifier, Units, and Checksum are as described in Section 0 above. Figure 5 shows the polarity of U and V if the wind components along the U and V axis are blowing in the direction of the respective arrows.

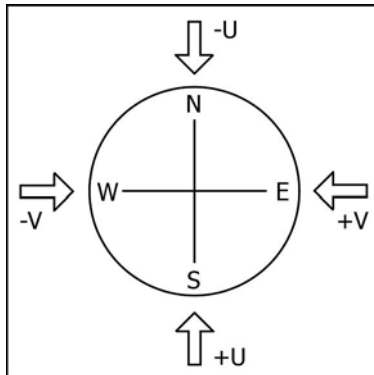


Figure 5 UV Polarity

## 9.3 Gill format – Polled (Polar or UV)

When in the Polled mode, an output is only generated when the host system sends a Poll signal to the WindSonic consisting of the WindSonic Unit Identifier – that is, the relevant letter A – Z.

The output formats are otherwise as described in Sections 9.1 and 9.2.

The commands available in this mode are:

Description	Command	WindSonic response
WindSonic Unit Identifier	A ..... Z	Wind speed output generated
Enable Polled mode	?	(None)
Disable Polled mode	!	(None)
Request WindSonic Unit Identifier	&	A ..... Z (as configured)
Enter Configuration mode	*<N>	CONFIGURATION MODE

Where <N> is the unit identifier, if used in a multi-drop system then it is recommended that ID's A to F and KMNP are not used as these characters can be present in the data string.

Notes: -

It is suggested that in polled mode the following sequence is used for every poll for information.

? Ensures that the Sensor is enabled to cover the event that a power down has occurred.

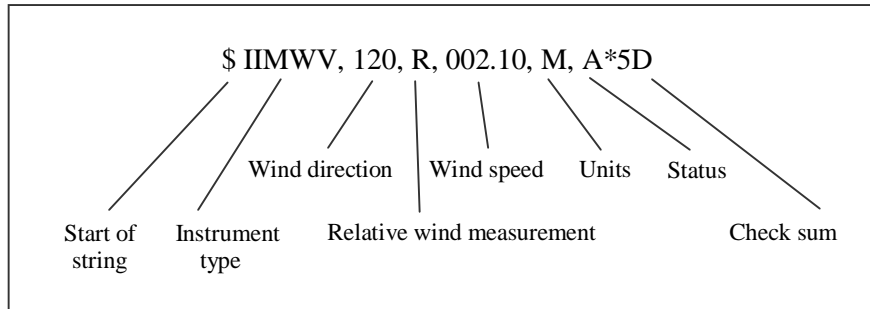
A-Z Appropriate unit designator sent to retrieve a line of data.

! Sent to disable poll mode and reduce possibility of erroneous poll generation.

When in polled mode the system will respond to the data command within 130mS with the last valid data sample as calculated by the Output rate (P Mode Setting).

If the unit is powered down after use or upon switch on then allow 3 seconds from switch on before sending poll commands.

## 9.4 NMEA Format (NMEA status Codes)



The **Wind Direction**, **Wind Speed**, and **Units** are as described in Section 9.1.

The **Instrument Type** – IIMWV - is a mnemonic for Integrated Instrument Mean Wind direction & Velocity.

The **Status** codes are:

- A Acceptable measurement
- V Void measurement

A typical WindSonic configuration suitable for NMEA (See Section 10):

M5, U1, O1, L1, P1, B2, H1, NQ, F1, E2, T1, S4, C2, G0, K50

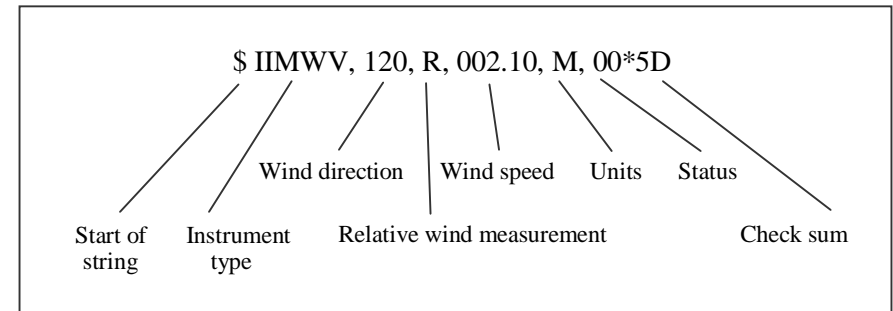
Consult specification NMEA 0183 version 3 (available on the web) for complete interface details.

The WindSonic can also be set for the alternative start of string NMEA format WIMWV (Mode 14, which is a Mnemonic for: -

Wind Instrument Mean Wind direction and Velocity.

The string format will appear as above but with WIMWV at the start of the string.

## 9.5 NMEA Format (Gill status Codes)



The **Wind Direction**, **Wind Speed**, and **Units** are as described in Section 9.1.

The **Instrument Type** – IIMWV - is a mnemonic for Integrated Instrument Mean Wind direction & Velocity (alternative start of string format WIMWV can be selected).

The **Gill Status** codes are as described in Para 12.5.

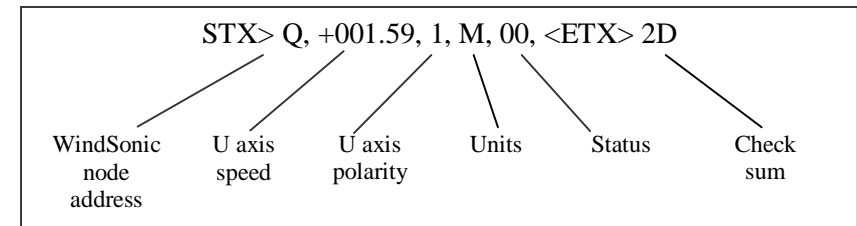
A typical WindSonic configuration suitable for NMEA (See Section 10):

M16, U1, O1, L1, P1, B3, H1, NQ, F1, E2, T1, S4, C2, G0, K50

Consult specification NMEA 0183 version 3 (available on the web) for complete interface details.

## 9.6 Gill format – Tunnel Mode (UU, Continuous)

In this mode, the output is given as signed (i.e. positive or negative) speeds along the 'U' (= South – North) axis.



Where:

- <STX> = Start of string character (ASCII value 2)
- WindSonic node address = Unit identifier
- U axis = U axis Wind Speed
- U axis = U axis Wind Direction Polarity where: -  
0 (-U vector) is a wind from the North direction or  
1 (+U vector) is a wind from the South direction.

See Section 9.1 for other string information.

## 9.7 Analogue Outputs and Options

**Note:** Analogue outputs are only available from WindSonic Option 3.

### 9.7.1 Voltage or Current output

The WindSonic (Option 3) can be configured for either Voltage (0 – 5 V) or Current (0 – 20mA and 4 – 20 mA) outputs.

#### Important:

- When using the current outputs, the load resistance between the Analogue outputs (Pins 8 & 9) and Signal Ground (Pin 1) must be  $\leq 300$  ohms, including cable resistance.  
*This is to ensure that the voltage levels on Pins 8 & 9 do not exceed 5V.*
- The current outputs must be returned to Signal Ground (Pin 1).

### 9.7.2 Analogue Output Modes

Analogue Outputs	Polar Mode Modes 2 and 4	NMEA Mode Modes 5,14,15 &16	UV Mode Modes 1 and 3	Tunnel Mode Mode 12
Channel 1 (Pin 8 wrt Pin 1)	Wind Speed	Wind Speed	U Wind Speed	U Wind Speed
Channel 2 (Pin 9 wrt Pin 1)	Wind Direction	Wind Direction	U Wind Polarity	U Wind Polarity

### 9.7.3 Polar mode direction wraparound

The Wind Direction in Polar mode can be configured for either Standard (0 - 359°) or Wraparound (0 - 539°) options. If the Standard mode is used with a chart recorder, large swings of the recorder pen will be experienced each time the wind direction passes between 0 and 359°. Using the Wraparound mode, when the wind first changes from 0° to 359°, there will be a step change on the output, but after this first time the output will change smoothly each time the wind passes through 360°. (Similarly, the first time the wind veers from 539° to 180°, there will be a step change, after which the output will change smoothly).

Wind Direction (degrees)	Voltage Output (0v to 5V)		Current Output (0mA to 20mA)		Current Output (4mA to 20mA)	
	Standard	Wraparound	Standard	Wraparound	Standard	Wraparound
0	0	0	0.00	0.00	4.00	4.00
180	2.5	1.67	10.00	6.67	12.00	9.33
360	5.0	3.33	20.00	13.33	20.00	14.67
540	N/a	5.0	N/a	20.00	N/a	20.00

### 9.7.4 Wind Speed scaling

**Analogue Outputs are always scaled in m/s irrespective of the digital output units of measurement setting.**

The Wind Speed output can be configured such that full-scale output represents 5, 10, 20, 30, 40, 50 or 60 metres/sec.

In all cases zero Wind Speed is represented by 0V, 0mA or 4mA.

### 9.7.5 Tunnel mode

When configured in Tunnel mode, Channel 1 output represents the wind speed along the U axis (South – North) scaled as described above.

Channel 2 gives the direction of the wind along the U axis, where a –U vector (= wind from the N direction) is represented by 0V (or 0mA, 4mA), and a +U vector is represented by 5V (or 20mA).

### 9.7.6 Analogue Output Rate

In Continuous and Polled modes the analogue output update rate will be determined by the P command setting.

### 9.7.7 Disabled outputs

If the analogue outputs are not required, they can be disabled (Command S9).

### 9.7.8 Analogue Output Conditions

Analogue signals are output together with Digital Outputs signals.

Analogue signals are output continuously when in Digital Polled Mode.

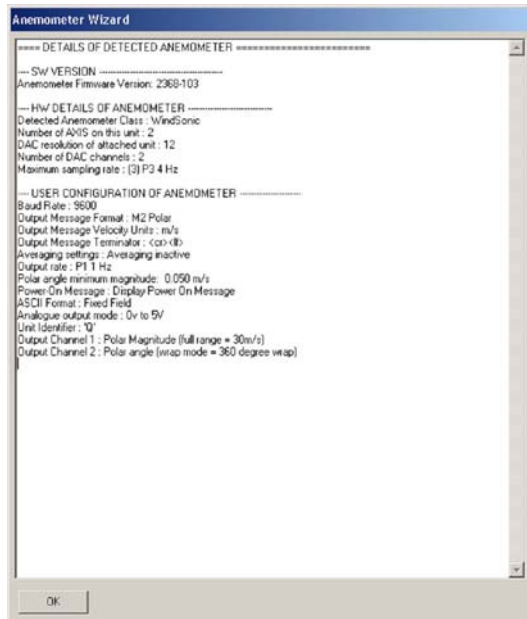
Note: - The WindSonic provides the power for current output loads. Do not connect the WindSonic output to instruments where power for the current loop is provided by the instrument connecting to the WindSonic current output connections.



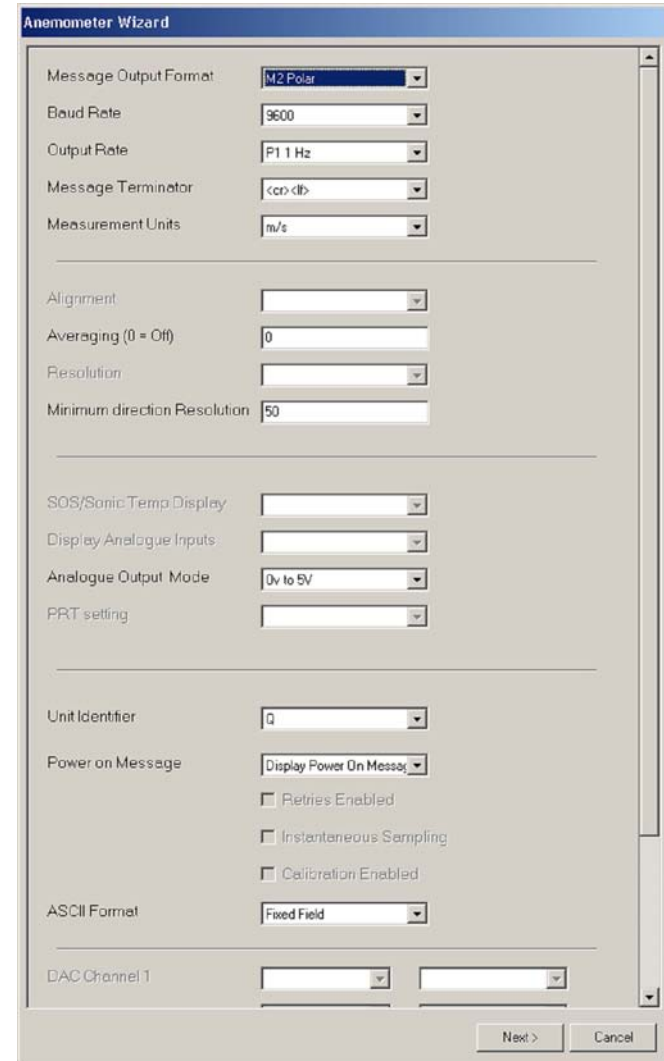
If after Synch Comms there is still a problem, repeat Synch Comms or switch off the sensor and switch back on again and repeat above procedure.



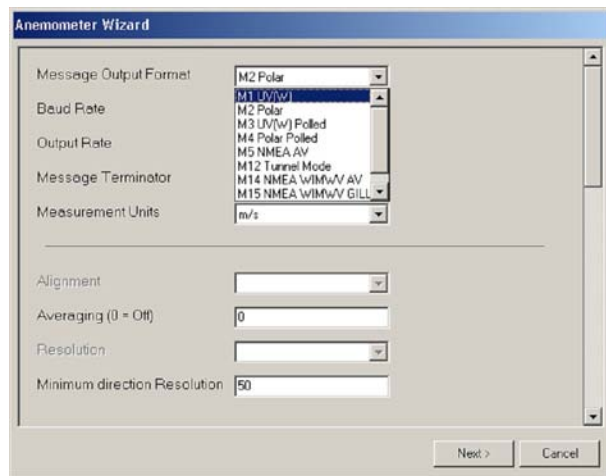
If you wish to review the Sensor Settings click on **Tools/Report Config**. When selected a similar message to that below will be seen.



To review and change the WindSonic configuration click on **Tools/Wizard** Typical Screen is shown following



To change a setting i.e. change from M2 (Polar) to M1 (UV), select M1 from the Wizard drop down list then click on Next.



The following screen will show settings that will be changed.

Then click on Next.



Wind will report Setting Up Anemometer and then re-start the anemometer scrolling data in UV mode.

**Note:** - It is also possible to change settings in Wind using the Configuration Mode operation and using Commands listed in Para's 10.4 to 10.7.1.

## 10.2 WindView

WindView software is available for the customer to download as above, free of charge from the Gill Instruments Ltd website [www.gill.co.uk](http://www.gill.co.uk).

WindView features include: -

- Data Display
- Data Logging
- Wind Alarms

### NOTES:

*WindView cannot be used to change the WindSonic configuration.*

*WindView is not compatible with WindSonic Option 4 – SDI-12 or WindSonic units prior to serial number 08100001 with a yellow or blue tab adjacent to the North Marker.*

## 10.3 Configuring using HyperTerminal

**Note** – Other terminal emulators are configured in a very similar way.

1. Decide on an available Com port that you want to use (Usually Com1).
2. Run Hypertrm.exe (Typically accessed via Start → All Programs → Accessories → Communications → Hyperterminal).
3. Create a New Connection (File → New Connection)
4. Enter a **Name** (eg WindSonic 1) .
5. Change '**Connect Using**' to 'Direct to Com 1' (or other Com port as required)
6. Adjust the Port settings to match WindSonic settings. WindSonic default settings are :

**Bits per second** 9600

**Data bits** 8

**Parity** None

**Stop bits** 1

**Flow Control** (Handshaking) None

Click on OK and data similar to the following example will scroll on screen at the output rate:

☺Q, 229, 002.74, M, 00, ♥06

## 10.4 Entering Configuration mode

### From Continuous mode

Type **\***

### From Polled mode

Type **\*** then **<N>**

Where **<N>** is the Unit identifier

The WindSonic responds with a CONFIGURATION MODE message, stops reporting wind measurements, and waits for a command (as detailed below).

## 10.5 Returning to Measurement mode

Type **Q** then press **ENTER**

The WindSonic responds with a checksum test and then continuous wind information when in continuous mode, or on receipt of a Poll signal when in Polled mode.

## 10.6 Checking the configuration

We recommend that, as a standard procedure, you use this command prior to, and after, changing any settings. It shows the current settings for all the alterable settings.

Type **\***

Type **D** **3** then press **ENTER**

The WindSonic responds with the default settings shown below for Option 2 and 3 units.

**M2, U1, O1, L1, P1, B3, H1, NQ, F1, E2, T1, S4, C2, G0, K50**

We suggest you note down the settings, so that you can easily return to them.

Return to measurement mode

Type **Q** then press **ENTER**

All of these settings are explained in the following sections.

## 10.7 Changing a setting

To change a setting, refer to the sections below, enter the command of the new setting required, followed by **ENTER**. The new setting will be sent as a message by the WindSonic.

For example, to change the message format to NMEA, Type **M** **5** and press **ENTER**

The WindSonic will reply **M5**. When the unit is returned to the Measurement mode, it will be in NMEA format.

### Notes:

The factory-set (default) settings are shown in **bold** in the following sections.

To Change E Command setting refer to **Safe Mode** operation, Para's 7.8 and 7.9.

## 10.7.1 Command List

COMMAND	USER
<b>B</b>	<b>Baud rate</b>
<b>C</b>	<b>Analogue angle wrapping</b>
<b>D</b>	<b>Diagnostic and Configuration</b>
<b>E</b>	<b>Set Physical Comms</b>
<b>F</b>	<b>Data and Parity Options</b>
<b>G</b>	<b>Not currently used</b>
<b>H</b>	<b>Power-Up message</b>
<b>K</b>	<b>Minimum Direction Velocity</b>
<b>L</b>	<b>Message Terminator</b>
<b>M</b>	<b>Message Format</b>
<b>N</b>	<b>Unit ID</b>
<b>O</b>	<b>ASCII Output format</b>
<b>P</b>	<b>Output rate</b>
<b>Q</b>	<b>MEASUREMENT MODE</b>
<b>S</b>	<b>Analogue output range</b>
<b>T</b>	<b>Analogue output type</b>
<b>U</b>	<b>Select Units</b>
<b>*</b>	<b>INTERACTIVE MODE</b>

**Bx - Baud rate**

Item	Options	Command
<b>Baud rate</b>	2400	B1
	4800	B2
	<b>9600</b>	<b>B3</b>
	19200	B4
	38400	B5

To change the Baud rate when using HyperTerminal: -

Eg. If set to B3 (9600 baud) and it is required to set to Baud rate to B2 (4800 baud).

Type **[\*]** to enter Configuration Mode.

Type **[B]** **[2]** and press **[ENTER]**. (**Do not type any further commands at this stage**).

Close the 9600 Baud HyperTerminal connection.

Open HyperTerminal and set the new connection Baud Rate to 4800 baud.

Type **[B]** and press **[ENTER]**, the letter B will be shown followed by Capitol B2

Type **[Q]** and press **[ENTER]**, data will scroll at the new baud rate.

**Cx - Analogue settings**

The following command is only valid for the WindSonic Option 3:

Item	Options	Command
Analogue Wraparound (Chart recorder facility)	Wrap around    0 – 539°	C1
	<b>Normal</b> <b>0 - 359°</b>	<b>C2</b>

**Dx - Diagnostic and Configuration Command (See Section 10.8)****Ex - Communications Protocol**

Item	Options	Command
Communications protocol	RS422 / RS485	E2
	RS232	E3

To change settings refer to Connecting to a PC (Para's 7.8 and 7.9).

Option 1 unit default setting will be E3

Option 2 and 3 unit default setting will be E2

**Fx - Data and parity options**

Item	Options	Command
Data and parity options	8 bits, no parity	<b>F1</b>
	8 bits, even parity	F2
	8 bits, odd parity	F3

**Gx - (To be allocated for future developments)**

Item	Options	Command
To be allocated	Not Applicable	Gx

**Hx - Power-up Message**

Item	Options	Command
<b>Power –up message</b>	<b>ON</b>	<b>H1</b>
	OFF	H2

If the power up message is On, then a message similar to that below is output, whenever the unit goes into Measurement mode (i.e. when power is first applied to the unit, or unit returns to Measurement mode from Configuration mode).

```

WINDSONIC (Gill Instruments Ltd)
2368-104
RS485/RS422 (CFG)
CHECKSUM ROM:E15C E15C *PASS*
CHECKSUM FAC:0A42 0A42 *PASS*
CHECKSUM ENG:12BE 12BE *PASS*
CHECKSUM CAL:C980 C980 *PASS*

```

If any of these checksums fail, the word PASS will be replaced by FAIL and the unit will use its default settings. If the checksum repeatedly fails after power on – contact your supplier.

**NOTE:** The exact message above may vary.

### Kxx to Kxxxx - Minimum Direction Velocity

Item	Options	Command
Minimum Direction Velocity	0.05m/s to 5m/s	<b>K50</b> KXX to KXXXX
This feature allows the minimum wind velocity to be set at which display of the direction is enabled in thousandth of a metre per second. The default is 50, which means that any wind magnitude less than 0.05m/s will have the wind direction omitted in polar mode. The maximum value allowed for this is 5000, or 5m/s.		

### Lx - Message Terminator

Item	Options	Command
Message terminator	<CR> <LF> <CR>	<b>L1</b> L2

### Mx to Mxx - Message Format

Item	Options	Command
<b>Message Format</b>	Gill, UV, Continuous	M1
	<b>Gill, Polar, Continuous</b>	<b>M2</b>
	Gill, UV, Polled	M3
	Gill, Polar, Polled	M4
	NMEA, IIMWV (NMEA status code)	M5
	Tunnel Continuous	M12
	NMEA, WIMWV (NMEA status code)	M14
	NMEA, WIMWV (Gill status code) NMEA, IIMWV (Gill status code)	M15 M16

### Nx - Node Address

Item	Options	Command
Node Address	<b>Q...</b> -(A to Z)	<b>N&lt;Q&gt;</b>

If used in a multi-drop system then it is recommended that ID's A to F and K, M, N and P are not used, as these characters can be present in the data string.

### Ox - ASCII Output Format

Item	Options	Command
<b>ASCII output format</b>	<b>Comma separated format (CSV)</b>	<b>O1</b>
	Fixed field	O2

Example data string for CSV data changing to error status code condition.

□Q,359,000.16,M,00,□16

□Q,,M,04,□24

Example data string for Fixed Field data changing to error status code condition.

□Q,359,000.16,M,00,□16

□Q,999,999.99,M,04,□0A

### Px to Pxx - Output Rate

Item	Options	Command
<b>Output rate</b>	<b>1 per second</b>	<b>P1</b>
	2 per second	P2
	4 per second	P3
	1/4 per second	P20
	1/2 per second	P21

### Q - Measurement Mode

See Section 10.5.

### Sx - Analogue Output Range

The following command is only valid for the WindSonic Option 3:

Item	Options	Command
Analogue Range, Magnitude Scaling (Set Analogue Output Range)	0 – 5 metres per second	S1
	0 – 10 metres per second	S2
	0 – 20 metres per second	S3
	<b>0 – 30 metres per second</b>	<b>S4</b>
	0 – 40 metres per second	S5
	0 – 50 metres per second	S6
	0 – 60 metres per second	S7
	Analogue output disabled	S9

## Tx - Analogue Output Type (Voltage or Current)

The following command is only valid for the WindSonic Option 3:

Item	Options	Command
Voltage or Current output (Set Analogue Output Type)	<b>0 - 5 Volt</b>	<b>T1</b>
	4 – 20 mA	T3
	0 – 20 mA	T5

## Ux - Output Units

Item	Options	Command
<b>Output Units</b>	<b>Metres per second (M)</b>	<b>U1</b>
	Knots (N)	U2
	Miles per hour (P)	U3
	Kilometres per hour (K)	U4
	Feet per minute (F)	U5

## 10.8 Configuration / Diagnostic Information

Each of these commands causes a response from the WindSonic.

Item	Command	Response
Type and serial No.	D1	Y08100001
Software version	D2	2368-102
Unit configuration	D3	M2,U1,O1,L1,P1,B3,H1,NQ,F1,E2,T1,S4,C2,G0,K50,
Supply Voltage	D5	+11.7v
Self test	D6	<i>See Section 12.2 Self-Test (Still Air)</i> ALIGNMENT LIMITS:0D59,0CF5 ALIGNMENT U:OD15 *PASS* ALIGNMENT V:OD16 *PASS* CHECKSUM ROM:AB7D AB7D *PASS* CHECKSUM FAC:04F4 04F4 *PASS* CHECKSUM ENG:082A 082A *PASS* CHECKSUM CAL:A9C1 A9C1 *PASS*
Hardware Configuration	D10	Serial Number : Y08100001 Software Version : 2368-102  Class : WINDSONIC (Gill Instruments Ltd)  Number of axes on this unit : 2 Axes tilted 45deg to horizontal plane Analogue outputs: 2 (12bit) Analogue output modes: 0-5V 4-20mA 0-20mA Maximum output rate: 004Hz Maximum baserate on this unit is 32Hz sampling Available baudrates: 002400 004800 009600 019200 038400 Available messages: M1 M2 M3 M4 M5 M12 M14 M15 M16 Safe mode enabled Parity control allowed: F1 F2 F3 Communication modes: RS232 RS485/422

## 11 MAINTENANCE & FAULT-FINDING

### 11.1 Cleaning

If there is any build up of deposit on the unit, it should be gently cleaned with a cloth moistened with soft detergent. Solvents should not be used, and care should be taken to avoid scratching any surfaces. The unit must be allowed to defrost naturally after being exposed to snow or icy conditions, do NOT attempt to remove ice or snow with a tool.

**Do NOT remove black “rubber” transducer caps.**

### 11.2 Servicing

There are no moving parts or user-serviceable parts requiring routine maintenance.

Opening the unit or breaking the security seal will void the warranty and the calibration.

In the event of failure, prior to returning the unit to your authorised Gill distributor, it is recommended that:

1. All cables and connectors are checked for continuity, bad contacts, corrosion etc.
2. A bench test is carried out as described in Section 11.1.
3. You contact your supplier for advice

### 11.3 Fault Finding

Symptom	Solution
No output	Check DC power to WindSonic, cable and connections. Check comms settings of WindSonic ( <i>as detailed in Section 10</i> ) and host system match, including correct Com port Check unit is in Continuous mode Check that in-line communication devices are wired correctly. NOTE: It is usual for Anemometer TX + to be connected to converter device RX +
Corrupted output	Check comms settings of WindSonic and host system match. Try a slower baud rate. Check cable lengths and type of cable.
One way communication	Check WindSonic and host system are both set to the same protocol RS232, RS422, or RS485. Check wiring is in accordance with the manual.
Failed / Incorrect WindSonic output, data invalid flag	Check that transducer path is not blocked

### 11.4 Returning Unit

If the unit has to be returned, it should be carefully packed in the original packaging and returned to your authorised Gill distributor, with a full description of the fault condition.

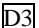
### 11.5 Status

The Status code is sent as part of each wind measurement message.

Code	Status	Condition
00	OK	<b>Sufficient samples in average period</b>
01	Axis 1 failed	Insufficient samples in average period on U axis
02	Axis 2 failed	Insufficient samples in average period on V axis
04	Axis 1 and 2 failed	Insufficient samples in average period on both axes
08	NVM error	NVM checksum failed
09	ROM error	ROM checksum failed
A	-	NMEA data Acceptable
V	-	NMEA data Void

## 12 TESTS

### 12.1 Bench test

1. Couple the WindSonic to the host system and power supply, using a known working test cable.
2. Check that the unit is correctly configured by going into Configuration mode and using  See Section 10.6 Checking the configuration.
3. Check for normal output data, and that the Status Code is OK – 00 (or A for NMEA format).
4. If the status code is other than 00 or A, refer to Section 11.5 Status (error) codes.
5. Use an office fan or similar to check that the unit is sensing wind, turning the unit to simulate changing wind direction and to check that both axes are functioning.
6. Note that this is a quick functional test. There are no calibration adjustments; the unit is designed NOT to require re-calibration within its lifetime.

## 12.2 Self-Test (Still Air)

This test checks Alignment and Checksums.

**Alignment tests:** The unit performs a transducer geometry check and compares the result with its factory setting.

**Checksum tests:** The unit performs a check of its program and data memory.

**Important.** *This test is a stringent laboratory test, which will only be passed if carried out under still air conditions at room temperature (17-23°C).*

1. Use the original packing box (inner and outer) to enclose the unit. (The packaging is designed as a zero wind enclosure).
2. Go into Configuration Mode   ENTER .
3. Carry out the Self-test by entering   ENTER .

A message similar to that shown below will be generated:

```
ALIGNMENT LIMITS:0D59,0CF5
ALIGNMENT U:OD15 *PASS*
ALIGNMENT V:OD16 *PASS*
CHECKSUM ROM:AB7D AB7D *PASS*
CHECKSUM FAC:04F4 04F4 *PASS*
CHECKSUM ENG:082A 082A *PASS*
CHECKSUM CAL:A9C1 A9C1 *PASS*
```

For each of the Alignment tests a Pass or Refer to Manual message is generated.

For each of the Checksum tests a Pass or Fail message is generated.

4. If any of the tests fail, contact your supplier.

If a “refer to manual” message appears please *see Section 11.3 Fault Finding*.

**Note that it will only pass if the specified temperature and zero wind conditions are met.**

Check that there are no visible obstructions or damage to the unit before contacting Gill or your authorised distributor for further advice.

## 12.3 Calibration

A Custom calibration is available from Gill Instruments. This must be specified at the time of order or the unit must be returned to Gill Instruments for retrospective calibration.

## 13 APPENDICES

### 13.1 Glossary & Abbreviations

Item	Meaning
CAL	Calibration
CR	Carriage Return
CSV	Comma Separated Variable
ENG	Engineering
FAC	Factory
KPH	Kilometres per Hour
LF	Line Feed
MPH	Miles per Hour
NMEA 0183 (version 3)	National Marine Electronics Association standard for interfacing marine electronic navigational devices
NVM	Non-Volatile Memory
PC	IBM compatible Personal Computer
ROM	Read Only Memory
RS232	Communications standard
RS422	Communications standard
RS485	Communications standard
RXD	Received Data
TXD	Transmitted Data
SDI-12	Serial – Data Interface standard for microprocessor based sensors
WMO	World Meteorological Organisation

### 13.2 Guarantee

For terms of guarantee contact your supplier.

Warranty is void if the coloured security seal is damaged or broken, or the transducer caps have been damaged.

### 13.3 WindSonic Options 1, 2, 3 and 4 Electrical Conformity

#### EC DECLARATION OF CONFORMITY ACCORDING TO COUNCIL DIRECTIVE 2004/108/EC



We, Gill Instruments Ltd., declare under our sole responsibility that the products:

#### WindSonic Ultrasonic Anemometer – Options 1, 2, 3 and 4

Manufactured by: Gill Instruments Ltd

to which this declaration relates, are in conformity with the protection requirements of Council Directive 2004/108/EC on the approximation of the laws relating to electromagnetic compatibility.

This Declaration of Conformity is based upon compliance of the product with the following harmonised standards:

Emissions EN61326

Immunity EN61326

\* Excluding 150kHz to 250kHz Conducted Immunity

Signed by:

A.C.R. Stickland – Director

Date of issue: 04/03/2008

Place of issue: Gill Instruments Ltd  
Saltmarsh Park, 67 Gosport Street,  
Lymington, SO41 9EG, UK



### 14 SDI-12 WindSonic

WindSonic option 4 SDI-12 is factory configured in SDI-12 mode and complies with SDI-12 Interface Standard V1.3, see Section 14.5, SDI-12 Commands for details.

**Note: WindSonic Option 4 is not compatible with Gill Wind or WindView Software.**

#### 14.1 WindSonic Option 4 Specification

<b>Output</b>	
Units of measure	Metres/second (m/s)
Output frequency	1 output per second
Digital Parameters	Polar - Speed and Direction
or	UV - 2 axis, signed Speed
<b>Wind Speed</b>	
Range	0 – 60 m/s
Accuracy	± 2% (at 12m/s)
Resolution	0.01 m/s
<b>Wind Direction</b>	
Range	0 - 359°
Accuracy	± 3° (20m/s)
Resolution	1°
<b>Digital output formats</b>	
Digital Data	SDI-12 V1.3
Averaging	1 Minute Vector, 1 Minute Scalar, 1 Minute Maximum Speed
<b>Anemometer status</b>	Status OK and Error codes included as part of standard output message
<b>Environmental</b>	
Moisture protection	IP65
Temperature	Operating -35°C to +70°C Storage -40°C to +80°C
Humidity	Operating <5% to 100%
EMC	EN 61000-6 - 3 (Emissions) EN 61000-6 - 2 (Immunity)
<b>Standards</b>	Manufactured within ISO9001: 2000 quality system
<b>Power requirement</b>	9 – 30 V DC. Current drain <2mA @12v low power operation Current drain <10mA @12v high power operation
<b>Mechanical</b>	
Size / weight	142mm diameter x 160mm 0.5kg
Mounting	Pipe mounting 1.75 inches (44.45mm) diameter
Material	External - Acrylate Styrene Acrylonitrile, Polycarbonate blend.

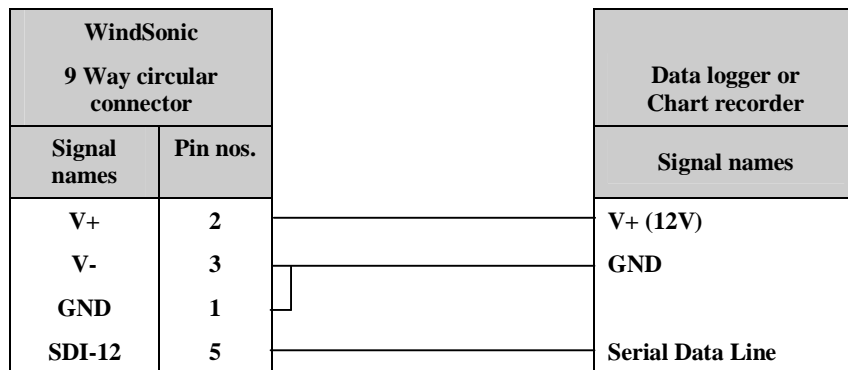
## 14.2 Cable Type

Application	No. of pairs	Gill ref.	Belden ref.	Batt electronics ref.
SDI-12	2	-	9729	-

## 14.3 Cable Length

WindSonic Option	Communication Format	Baud Rate	Max. Cable Length
Option 4	SDI-12	1200	90m (300ft)

## 14.4 Connecting to an SDI-12 Interface (Option 4)



## 14.5 SDI-12 Commands

WindSonic Option 4 complies with SDI-12 Interface Standard V1.3

We advise that you download the full SDI-12 specification from [www.sdi-12.org](http://www.sdi-12.org)

All other commands not defined below respond with a 'zero data values ready' response.

All units of measurement are in metres per second. This cannot be re-scaled.

Wind Measurements are made at 1Hz.

The default operating mode is aXHPM!.

The default unit address is 0.

### Commands and Returns in High Power Mode (aXHPM!)

When in high power continuous mode, Wind data (Polar or Axis format) will be logged internally at 1Hz such that a 1-minute rolling average and 1 minute maximum (with associated direction) can be retrieved at any time.

1 minute averaged outputs are available using aR2!, aR3!, aR4! and AR5! Commands.

Name	Command	Gill Output
Continuous Measurement (Polar)	aR0!	a<dir><mag><status><CR><LF> e.g. 0+332+000.04+00><CR><LF>
Continuous Measurement with CRC (Polar)	aRC0!	a<dir><mag><status><CRC><CR><LF> e.g. 0+272+000.02+00Ldg><CR><LF>
Continuous Measurement (UV)	aR1!	a<U><V><status><CR><LF> e.g. 0-000.03-000.01+00><CR><LF>
Continuous Measurement with CRC (UV)	aRC1!	a<U><V><status><CRC><CR><LF> e.g. 0+000.00-000.01+00DUx><CR><LF>
Averaged vector (UV) data converted to polar direction and magnitude. Scalar magnitude maximum and direction associated with that maximum	aR2!	a<dir_from_vectorav><mag_from_vectorav><dir_at_mag_scalarmax><mag_scalarmax><status><CR><LF> > e.g. 0+090+000.02+123+000.12+00><CR><LF>
Averaged vector (UV) data converted to polar direction and magnitude. Scalar magnitude maximum and direction associated with that maximum with CRC	ARC2!	a<dir_from_vectorav><mag_from_vectorav><dir_at_mag_scalarmax><mag_scalarmax><status><checksum><CR><LF> e.g. 0+090+000.02+123+000.12+00Hv□><CR><LF>
U and V values from the averaged vector (UV) data. Scalar magnitude maximum and direction associated with that maximum converted into U and V components.	AR3!	a<U_vectorav><V_vectorav><U_from_scalarmax><V_from_scalarmax><status><CR><LF>  e.g. 0+000.00+000.02+000.07+000.10+00><CR><LF>

Name	Command	Gill Output
U and V values from the averaged vector (UV) data. Scalar magnitude maximum and direction associated with that maximum converted into U and V components with CRC	ARC3!	a<U_vectorav><V_vectorav><U_from_scalarmax><V_from_scalarmax><status><checksum><CR><LF>  e.g. 0+000.00+000.02+000.07+000.10+00JMJ<CR><LF>
Scalar average direction and magnitude	AR4!	a<dir_scalarav><mag_scalarav><dir_at_mag_scalarmax><mag_scalarmax><status><CR><LF>  e.g. 0+062+000.04+123+000.12+00<CR><LF>
Scalar average direction and magnitude with CRC	ARC4!	a<dir_scalarav><mag_scalarav><dir_at_mag_scalarmax><mag_scalarmax><status><checksum><CR><LF> >  e.g. 0+070+000.03+123+000.12+00JFr<CR><LF>
Scalar average direction and magnitude, then converted into U and V components.	AR5!	a<U_from_scalarav><V_from_scalarav><U_from_scalarmax><V_from_scalarmax><status><CR><LF>  e.g. 0-000.01+000.03+000.07+000.10+00<CR><LF>
Scalar average direction and magnitude, then converted into U and V components with CRC.	ARC5!	a<U_from_scalarav><V_from_scalarav><U_from_scalarmax><V_from_scalarmax><status><checksum><CR><LF>  e.g. 0+000.00+000.03+000.07+000.10+00EJ<CR><LF>
Start Measurement (Polar)	aM!	atttn<CR><LF> e.g. a0003
Send Data	aD0!	a<dir><mag><status><CR><LF>  e.g. 0+083+000.02+00<CR><LF>
Start Measurement (UV)	aM1!	atttn<CR><LF> e.g. a0003
Send Data	aD0!	a<U><V><status><CR><LF>  e.g. 0+000.00+000.02+00<CR><LF>
Start Measurement with CRC (Polar)	aMC!	atttn<CR><LF> e.g. a0003
Send Data	aD0!	a<dir><mag><status><CRC><CR><LF>  e.g. 0+295+000.01+00B{T<CR><LF>
Start Measurement with CRC (UV)	aMC1!	atttn<CR><LF> e.g. a0003
Send Data	aD0!	a<U><V><status><CRC><CR><LF>  e.g. 0+000.00+000.00+00JZY<CR><LF>
Acknowledge Active	a!	a<CR><LF> e.g. 0<CR><LF>
Send Identification	aI!	a13GillInst 2487 B06 <sn><CR><LF>  e.g. 013GillInst 2487B0611220012<CR><LF>
Change Address	aAb!	b<CR><LF> e.g. 1<CR><LF>
Address Query	?!	a<CR><LF> e.g. 0<CR><LF>
Measurement on demand	aXLPM!	0LP<CR><LF>
Continuous Reading	aXHPM!	0HP<CR><LF>

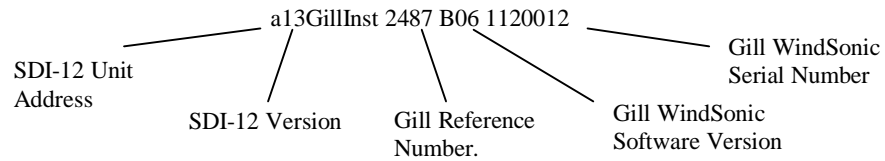
### Commands and Returns in Low Power Mode (aXLPM!)

Note:- Rolling average data not available.

Use of the aR2!, aR3!, aR4! and aR5! (and their associated aRCn!) commands when the device is in aXLPM! (low power - continuous) mode, will return a "zero data values ready" message.

Name	Command	Gill Output
Not Applicable	aR0!	Zero Data values ready e.g. 0<CR><LF>
Not Applicable	aRC0!	Zero Data values ready e.g. 0AP@<CR><LF>
Not Applicable	aR1!	Zero Data values ready e.g. 0<CR><LF>
Not Applicable	aRC1!	Zero Data values ready e.g. 0AP@<CR><LF>
Not Applicable	aR2!	Zero Data values ready e.g. 0<CR><LF>
Not Applicable	ARC2!	Zero Data values ready e.g. 0AP@<CR><LF>
Not Applicable	AR3!	Zero Data values ready e.g. 0<CR><LF>
Not Applicable	ARC3!	Zero Data values ready e.g. 0AP@<CR><LF>
Not Applicable	AR4!	Zero Data values ready e.g. 0<CR><LF>
Not Applicable	ARC4!	Zero Data values ready e.g. 0AP@<CR><LF>
Not Applicable	AR5!	Zero Data values ready e.g. 0<CR><LF>
Not Applicable	ARC5!	Zero Data values ready e.g. 0AP@<CR><LF>
Start Measurement (Polar)	aM!	atttn<CR><LF> e.g. a0053
Send Data	aD0!	a<dir><mag><status><CR><LF>  e.g. 0+083+000.02+00<CR><LF>
Start Measurement (UV)	aM1!	atttn<CR><LF> e.g. 00053
Send Data	aD0!	a<U><V><status><CR><LF>  e.g. 0+000.00+000.02+00<CR><LF>
Start Measurement with CRC (Polar)	aMC!	atttn<CR><LF> e.g. 00053
Send Data	aD0!	a<dir><mag><status><CRC><CR><LF>  e.g. 0+295+000.01+00B{T<CR><LF>
Start Measurement with CRC (UV)	aMC1!	atttn<CR><LF> e.g. 00053
Send Data	aD0!	a<U><V><status><CRC><CR><LF>  e.g. 0+000.00+000.00+00JZY<CR><LF>
Acknowledge Active	a!	a<CR><LF> e.g. 0<CR><LF>
Send Identification	aI!	a13GillInst 2487 B06 <sn><CR><LF>  e.g. 013GillInst 2487B0611220012<CR><LF>
Change Address	aAb!	b<CR><LF> e.g. 1<CR><LF>
Address Query	?!	a<CR><LF> e.g. 0<CR><LF>
Measurement on demand	aXLPM!	0LP<CR><LF>
Continuous Reading	aXHPM!	0HP<CR><LF>

## 14.6 Gill Output Message Format



## 14.7 SDI-12 Status Codes

Code	Status	Condition
<b>00</b>	<b>OK</b>	<b>Sufficient samples in average period</b>
01	Axis 1 failed	Insufficient samples in average period on U axis
02	Axis 2 failed	Insufficient samples in average period on V axis
04	Axis 1 and 2 failed	Insufficient samples in average period on both axes
08	NVM error	NVM checksum failed
09	ROM error	ROM checksum failed
51	Measurement average building	Will be output up to 68 seconds after power up whilst initialisation and 1 minute averaging calculations take place when in High Power mode.

## 14.8 WindSonic Option 4 Electrical Conformity

See Para 13.3.